



## Standard

Comply with ANSI/EIA RS-310-D, DIN41497 part 1, IEC297-2, DIN41494 part 7, GB/T3047.2-92 standard.

## Feature

- 19 inch width standard;
- Removable Side Panels, side locks optional;
- Knock off hole for entering cable on both top cover, bottom panel,real panel
- Turning angle of front door is over 180 degrees
- Easy mounting installation
- Unassembled package saving shipping space
- fan,shelf,PDU are optional

## Loading Capacity

800KG

## Degree of Protection

IP20

## Material

SPCC Cold Rolled Steel  
Thickness:2.0mm-1.2mm-1.0mm

## Surface Finish:

Powder coating

## Cabinet details



Fixed glass by Screws not by glue



Glass front door



Zinc plated mounting profile



Removable side panels (Side lock optional)

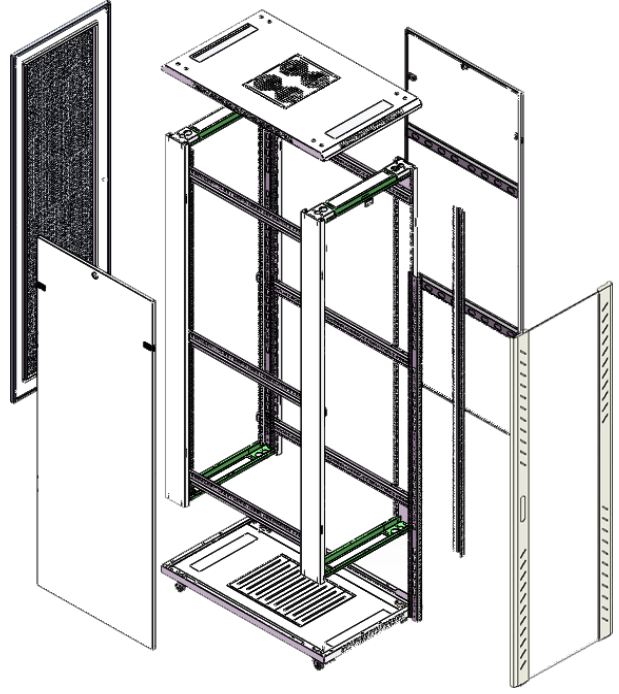
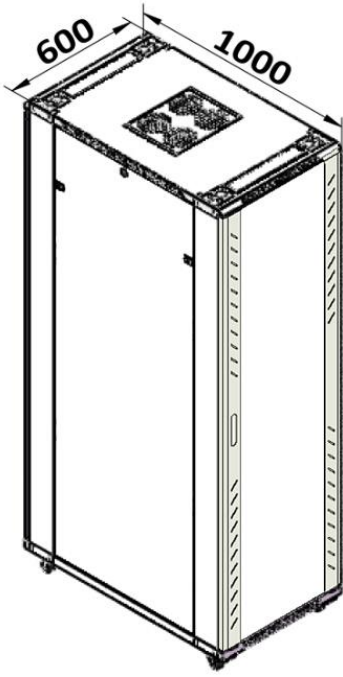


Cable entrance on rear panel

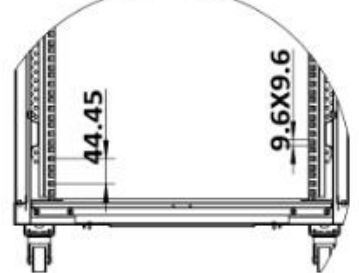
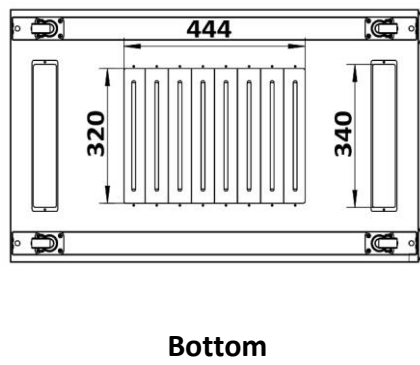
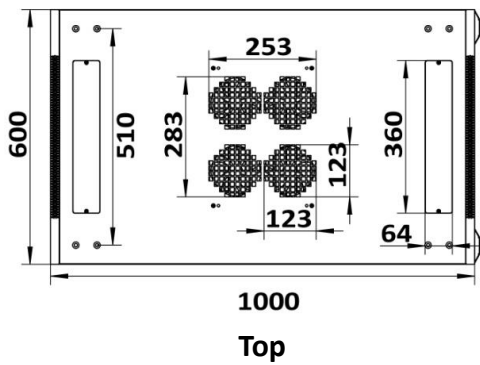
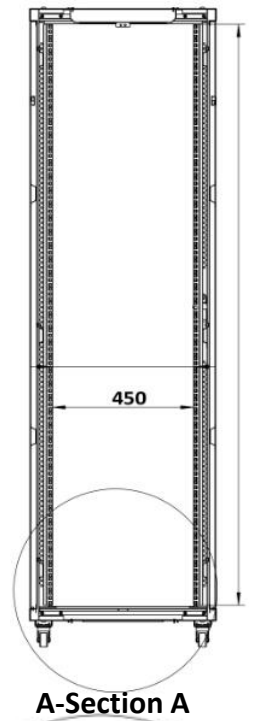
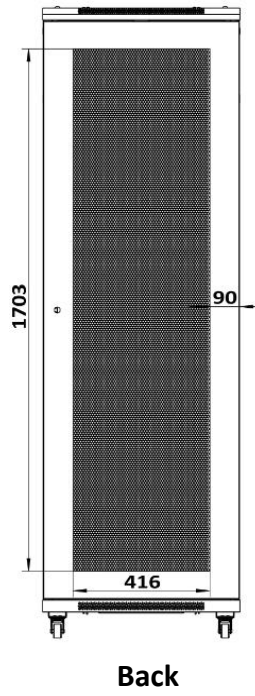
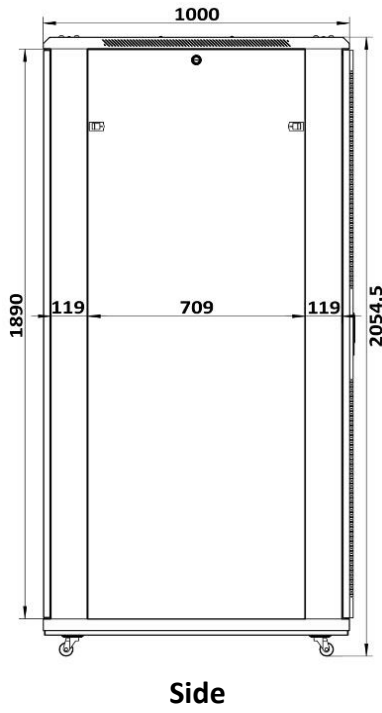
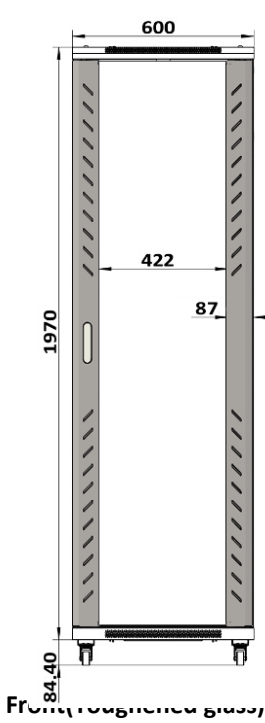


Ground wire optional

# AS Series Floor Standing Server Rack



## Main dimension(42U 600 x 1000mm)



# AS Series Floor Standing Server Rack

## Specification

Model No.	Capacity	Width	Depth	Height	Volume	Standard accessories
	(U)	(mm)	(mm)	(mm)	(CBM)	
RK.6618	18	600	600	987	0.131	Fan,PDU and shelf will be optional
RK.6818			800		0.152	
RK.6018			1000		0.182	
RK.8818		800	800		0.212	
RK.8018			1000		0.240	
RK.6622	22	600	600	1164	0.146	
RK.6822			800		0.169	
RK.6022			1000		0.202	
RK.8822		800	800		0.238	
RK.8022			1000		0.267	
RK.6627	27	600	600	1387	0.166	
RK.6827			800		0.189	
RK.6027			1000		0.227	
RK.8827		800	800		0.268	
RK.8027			1000		0.299	
RK.6632	32	600	600	1609	0.186	
RK.6832			800		0.211	
RK.6032			1000		0.252	
RK.8832		800	800		0.301	
RK.8032			1000		0.333	
RK.6637	37	600	600	1832	0.229	
RK.6837			800		0.265	
RK.6037			1000		0.315	
RK.8837		800	800		0.364	
RK.8037			1000		0.405	
RK.6642	42	600	600	2054	0.248	
RK.6842			800		0.285	
RK.6042			1000		0.339	
RK.8842		800	800		0.394	
RK.8042			1000		0.437	
RK.6647	47	600	600	2276	0.291	
RK.6847			800		0.339	
RK.6047			1000		0.402	
RK.8847		800	800		0.457	
RK.8047			1000		0.509	

## Main Parts



S/N	Specification	Quantity	Unit	Material	Surface Finish	Remark
1	Frame	2	Piece	SPCC cold rolled steel t1.0	Powder coated	
2	Side panel	2	Piece	SPCC cold rolled steel t1.0	Powder coated	
3	Top cover	1	Piece	SPCC cold rolled steel t1.2	Powder coated	
4	Bottom panel	1	Piece	SPCC cold rolled steel t1.2	Powder coated	
5	Mounting profile	4	Piece	SPCC cold rolled steel t2.0	Zinc plated	
6	Mounting rail	4/6	Piece	SPCC cold rolled steel t1.2	Powder coated	
7	Front door	1	Piece	5MM toughened glass door/SPCC t1.2	Powder coated	
8	Back door	1	Piece	Single open mesh vented door t1.2	Powder coated	
9	Castors	4	Piece	2pcs with brake		
10	Leveling feet	4	Piece			
11	Lock	2	Piece	Front handle lock,rear round lock		with 2 keys
12	M6 Square nut	30	Piece	Stainless Steel	Color Zinc	
13	M6 B-head screw	30	Piece	Stainless Steel	Color Zinc	
14	Allen wrench	1	Piece	Stainless Steel	Color Zinc	

## Definition of door



Model No.	Front door	Rear door
AS	Toughened glass door with round vented border(Handle Lock)	Mesh vented door(small round lock)
A2	Toughened glass door (small round lock)	Solid metal door(small round lock)
A3	Mesh vented door	Mesh vented door(small round lock)

Remark:if choose split rear door will use handle lock

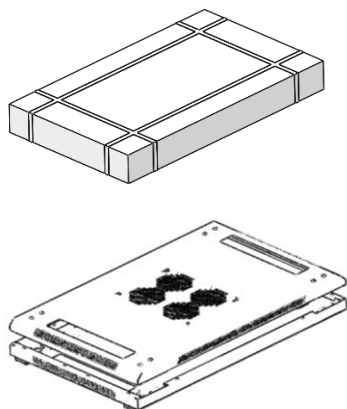
## Color

RAL9004	RAL7035
black	grey
	

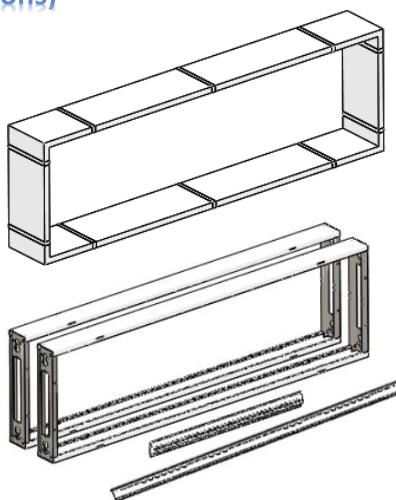
## Definition of Ornament strip color for toughened glass door

Blue	Red
	

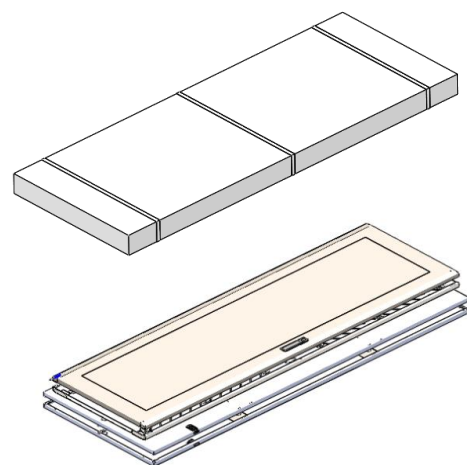
## Unassembled packing details(3 cartons)



Carton 1:top cover+bottom panel



Carton 2: Cabinet frame  
Mounting profile



Carton 3: Doors+side panels