

DHI-KTX01(S)

Video Intercom KIT



EACH

2-wire Wi-Fi Hybrid Indoor Monitor:

- 7" TFT capacitive touch screen.
- Offers video intercom that communicates with VTOs through half-duplex, and the app through full-duplex.
- Supports recording videos and capturing snapshots. (SD card is required).
- 6-channel alarm input and 1-channel alarm output.
- The app can be used to receive calls and alarm notifications.
- Connects to HDCVI camera.

2-wire Hybrid Villa Door Station:

- Aluminum alloy front panel.
- Auto IR illumination.
- Video messages can be left for unanswered calls. (SD card is required for VTH).
- Features nameplate and DWDR.
- Supports local lock and second lock.
- Offers anti-tampering alarm.
- IP65 and IK07 rated.



Technical Specification

DHI-VTO2003F

System

| | |
|----------------|--------------------|
| Main Processor | Embedded Processor |
| Button Type | Mechanical |

Basic

| | |
|--------------------|--|
| Camera | 1/2.8" 2 MP CMOS HDR Camera |
| Field of View | H: 110°; V: 60° |
| WDR | DWDR |
| Noise Reduction | 3D NR |
| Video Resolution | P: 960 (H) × 576 (V) N: 960 (H) × 480 (V) |
| Video Frame Rate | P: 25 fps N: 30 fps |
| Light Compensation | Auto IR |
| Day/Night | Auto(ICR)/Color/B/W |
| Audio Input | 1 |
| Audio Output | Built-in speaker |
| Audio Mode | Two-way audio (half-duplex) |

Function

| | |
|-------------|---------------|
| Unlock Mode | Remote unlock |
|-------------|---------------|

| | |
|--------------|---|
| Leave Videos | Yes (SD card inserted in VTH is needed) |
|--------------|---|

Performance

| | |
|-----------------|----------------|
| Casing Material | Aluminum Alloy |
|-----------------|----------------|

Port

| | |
|-----------------------|---------------------------|
| RS-485 | 1 |
| Alarm Output | 1 |
| Power Output | 1 × 12 VDC output, 200 mA |
| Exit Button | 1 |
| Door Status Detection | 1 |
| Lock Control | 1 |

Alarm

| | |
|--------------|-----|
| Tamper Alarm | Yes |
|--------------|-----|

General

| | |
|------------------|-------------------|
| Appearance Color | Silver |
| Power Supply | 2-wire controller |

| | |
|-----------------------|--|
| Installation | Surface Mount |
| Certifications | CE; FCC |
| Product Dimensions | 130 mm × 96 mm × 28.5 mm (5.12" × 3.78" × 1.12") |
| Protection | IP65 IK07 |
| Operating Temperature | -40 °C to +60°C (-40 °F to +140 °F) |
| Operating Humidity | 10%–95% (RH), non-condensing |
| Operating Altitude | 0 m–3000 m (0 ft – 9842.52 ft) |
| Power Consumption | ≤ 1.5 W (standby), ≤ 10 W(working) |
| Gross Weight | 0.326 kg (0.72 lb) |
| Storage Temperature | -40 °C to +70°C (-40 °F to +158 °F) |
| Storage Humidity | 95% (RH), non-condensing |

DHI-VTH5123H-W

System

| | |
|------------------|--------------------------------|
| Main Processor | Embedded Processor |
| Operating System | Embedded operating system |
| Network Protocol | IPv4; DNS; RTSP; RTP; TCP; UDP |

Basic

| | |
|-------------------|---|
| Screen Type | Capacitive Touchscreen |
| Display Screen | 7" TFT |
| Screen Resolution | 1024 (H) × 600 (V) |
| Audio Compression | G.711a; G.711u; PCM |
| Audio Input | 1 |
| Audio Output | Built-in speaker |
| Audio Mode | Two-way audio with VTO (half-duplex);Two-way audio with app (full-duplex) |
| Audio Enhancement | Echo suppression/digital noise reduction |
| Audio Bit Rate | 16 kHz;16 bit |

Function

| | |
|--------------------------|--|
| Leave Videos | Yes (SD card needed) |
| DND Mode | Do not disturb period can be set;Do not disturb mode can be set. |
| Number of Extensions | 5 |
| Wi-Fi | Yes |
| Wireless Standard | IEEE802.11b/802.11g/802.11n |
| Wireless Frequency Range | 2.4 GHz |
| Storage | Micro SD card (up to 64 GB) |

Port

| | |
|--------|---|
| RS-485 | 1 |
|--------|---|

| | |
|--------------|--------------------------------|
| Alarm Input | 6 |
| Alarm Output | 1 |
| Power Output | 1 (12 V, 200 mA) |
| Door Bell | Yes (use the alarm input port) |

Performance

| | |
|-----------------|----------|
| Casing Material | PC + ABS |
|-----------------|----------|

General

| | |
|-----------------------|---|
| Appearance Color | White |
| Power Supply | 2-wire controller |
| Installation | Surface Mount |
| Certifications | CE; FCC |
| Product Dimensions | 130 mm × 189 mm × 23.9 mm (5.12" × 7.44" × 0.94") |
| Operating Temperature | -10 °C to +55°C (14 °F to +131 °F) |
| Operating Humidity | 10%–95% (RH) |
| Operating Altitude | 0 m–3000 m (0 ft – 4265.09 ft) |
| Power Consumption | ≤ 4 W (standby), ≤ 10 W(working) |
| Gross Weight | 0.370 kg (0.82 lb) |
| Storage Temperature | -40 °C to +70°C (-40 °F to +158 °F) |
| Storage Humidity | 95% (RH),non-condensing |

VTNC1003C

Performance

| | |
|-----------------|----------|
| Casing Material | PC + ABS |
|-----------------|----------|

General

| | |
|-----------------------|---|
| Appearance Color | White |
| Power Supply | 48 VDC |
| Certifications | CE; FCC |
| Accessory | Included: Line termination terminal |
| Product Dimensions | 65.2 mm × 46.2 mm × 23.2 mm (2.57" × 1.82" × 0.91") |
| Operating Temperature | -10 °C to +55°C (14 °F to +131 °F) |
| Operating Humidity | 10%–95% (RH) |
| Operating Altitude | 0 m–3000 m (0 ft – 4265.09 ft) |
| Power Consumption | 3.5 W |
| Gross Weight | 0.13 kg (0.29 lb) |

Ordering Information

| Type | Model | Description |
|------|--------------|--|
| Kit | DHI-KTX01(S) | Video Intercom Kit. It includes: DHI-VTO2003F: 2-wire Hybrid Villa Door Station DHI-VTH5123H-W: 2-wire Wi-Fi Hybrid Indoor Monitor VTNC1003C: 2-wire Controller VTM115: Surface Mounted Box 1 x Power Adapter 1 x Power Cord |

Relevant Products



DHI-VTO2003F



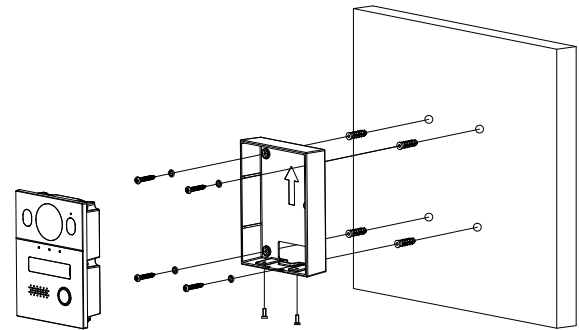
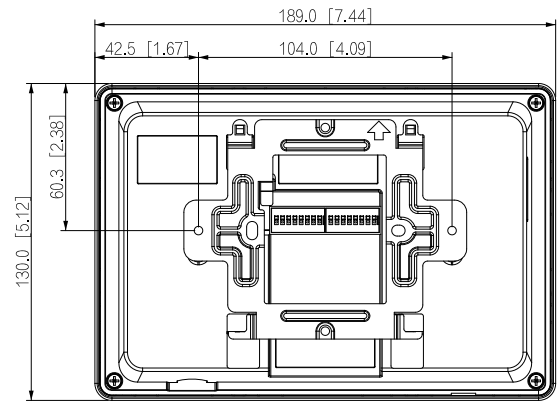
DHI-VTH5123H-W



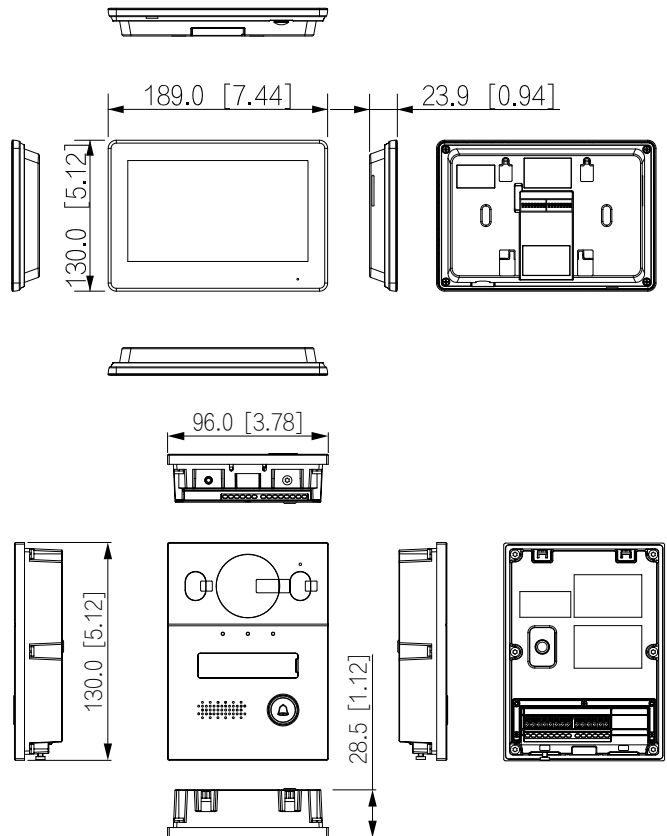
VTNC1003C



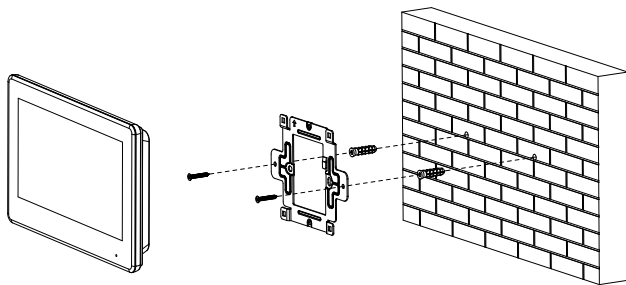
VTM115

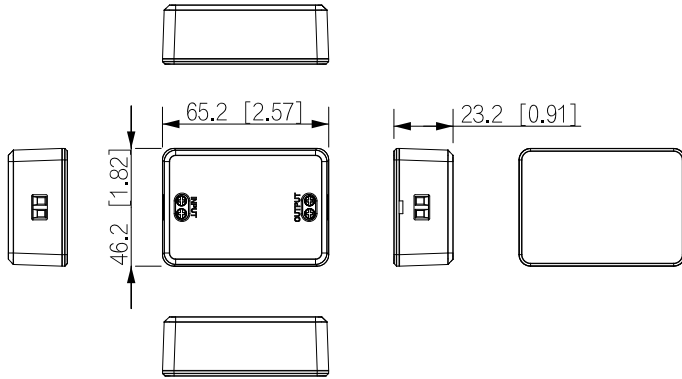


Dimensions (mm[inch])



Installation (mm[inch])





Application

